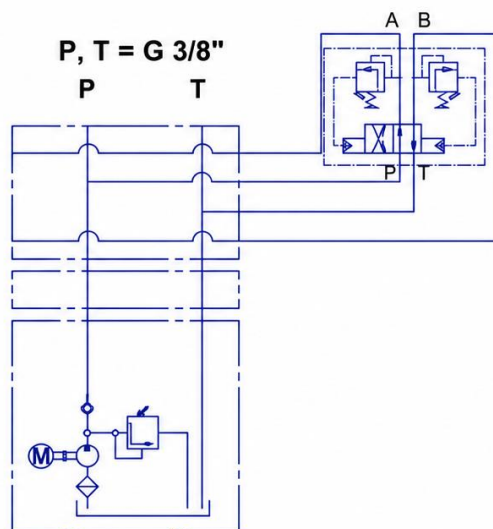
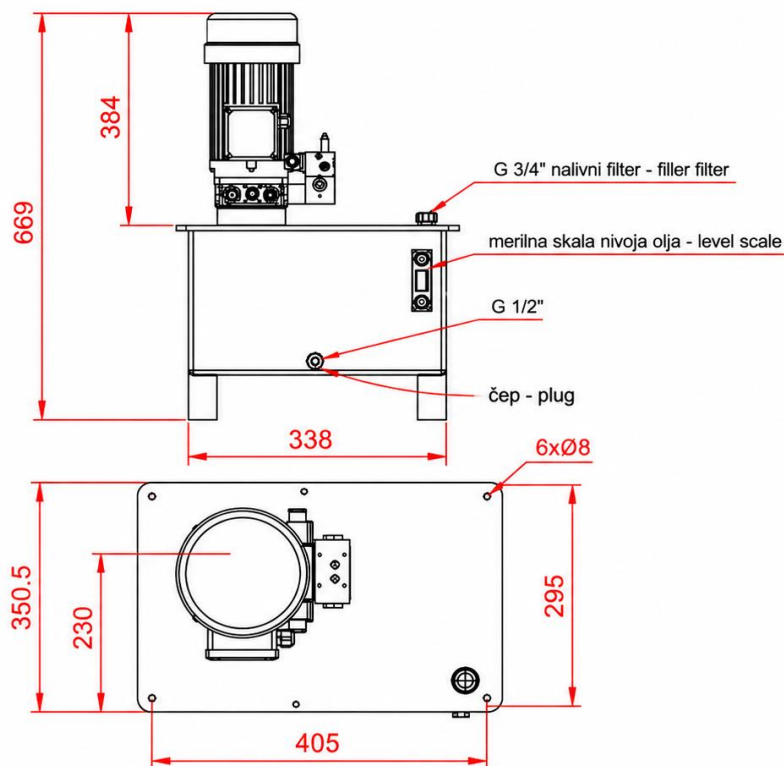


DIMENZIJE - TEHNIČNI LIST**DIMENSIONS - TECHNICAL DATA SHEET****HIDRAVLICNI AGREGAT - RHA – ZA HLEVSKEGA KRTA****HYDRAULIC POWER-PACK UNIT RHA- FOR BARN
TRANSPORTER**

Šifra / Code	El. napetost / Voltage [V]	Moč motorja / Motor power [kW]	Max. tlak / Max. pressure [bar]	Pretok črpalke / Pump flow [cc]	Prostornina rezervoarja / Oil tank capacity [l]	Pretok agregata / Flow of power pack [lit/min]	Vrtljaji / Speed [vrt/min] [rpm]
20576	380	4	120	8	25	12	1500
20575					40		



25 I



40 I

